



CREATING INDIVIDUAL TECHNOLOGIES



AUTOVENTS & DEMOULDING AIDS

ALBA VENTING SYSTEMS - AUTOVENTS

The Alba Autovent is an impressive option. It has a compact construction and its innovative coupling system also enables fast removal for maintenance purposes.

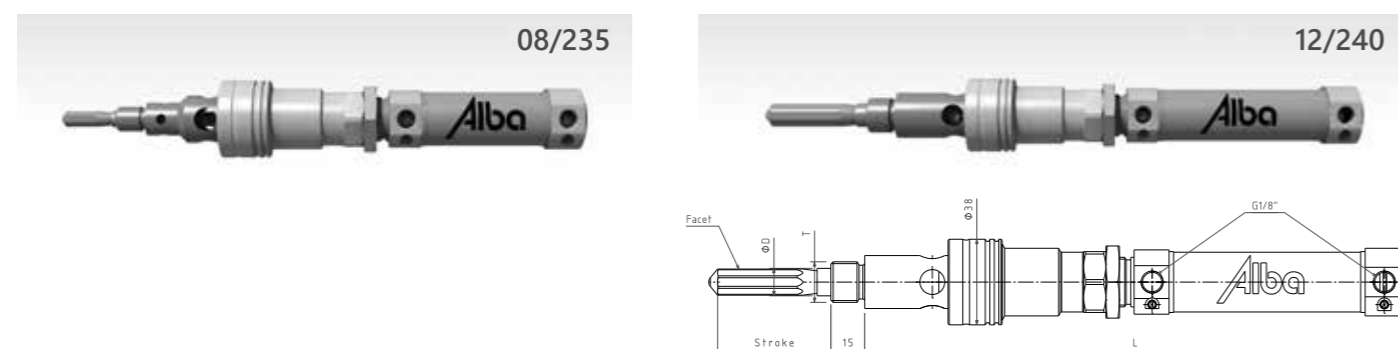
FEATURES AND ADVANTAGES

- Individual and adaptable use
- Highly efficient (especially the 12mm variants)
- Very easy to maintain thanks to the quick-opening coupling
- Temperature resistant up to 204°C
- Long life span
- Wear resistant thanks to a special surface coating
- Adjustable shock absorbing for both end positions (Autovent Standard)
- Chemical resistance (release agents)
- Extremely compact construction
- Double-acting cylinder construction

THE ALBA ADVANTAGE

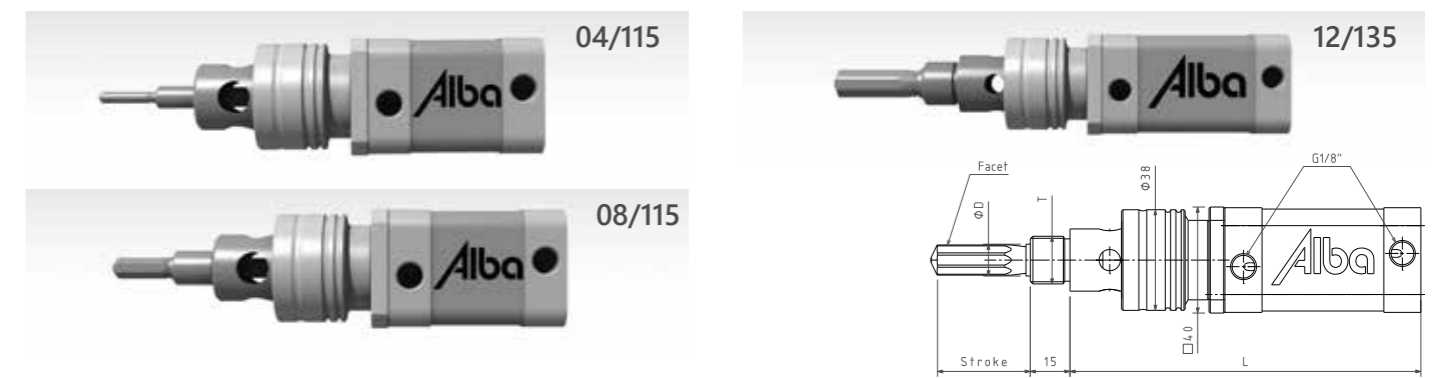
We can cater to your individual requirements and can also produce special shapes in the widest range of model sizes for special application areas, such as vents for vacuum technology or antirotation-vents for better contour adjustment.

AUTOVENT STANDARD



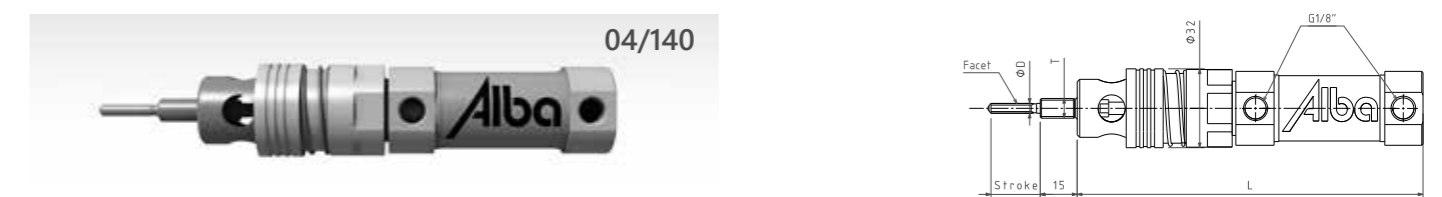
No.	Ø D [mm]	L [mm]	Stroke [mm]	T [mm]	Facet
08/235	8	215	0/25	M 12x1,5	0,1 0,2 0,3
12/240	12	240	0/50	M 18x1,5	0,1 0,2 0,3

AUTOVENT COMPACT



No.	Ø D [mm]	L [mm]	Stroke [mm]	T [mm]	Facet
08/115	8	120	0/20	M 12x1,5	0,1 0,2 0,3
12/135	12	135	0/35	M 18x1,5	0,1 0,2 0,3
04/115	4	120	0/20	M 8	0,1 0,2

AUTOVENT COMPACT ROUND



No.	Ø D [mm]	L [mm]	Stroke [mm]	T [mm]	Facet
04/140	4	140	0/20	M 8	0,1 0,2

ALBA DEMOULDING AIDS

Optimised production sequences that take ergonomic integration of people into account are the basic requirements for an optimised production process nowadays.



FEATURES AND ADVANTAGES

- Particularly ergonomic working process
- Easy demoulding properties using compressed air
- Can also be used with vacuum technology
- Targeted air injection, to avoid cracks on foam-parts
- Installation causes no contour defects

Ø D [mm]	L [mm]	T [mm]
4	73 (2,87")	M 16x1,5

ALBA LOCATIONS



Austria (Headquarter)
Alba tooling & engineering GmbH
Winkl 133 | 5552 Forstau
phone: +43 6454 7800 - 0
fax: +43 6454 7800 - 6009
mail: office@albatools.com
web: www.albatools.com

Austria
Alba tooling & engineering GmbH
5550 Radstadt

Germany
Alba MMB GmbH
84137 Vilsbiburg
Alba tooling & engineering GmbH

Slovenia
Orodjarna & inzeniring Alba
2380 Slovenj Gradec

India (New Delhi)
Alba Powerspack Tooling India
Greater Noida-201306

China (Shanghai)
Alba IFV
tooling & equipment
Waigang Jiading | Shanghai

USA (Detroit)
Alba tooling & engineering
Macomb, MI 48042

Slovakia
Alba tooling & engineering, s.r.o.
942 01 Surany



ALBA HEADQUARTERS, AUSTRIA

www.albatools.com

